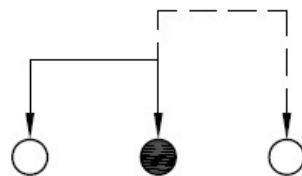
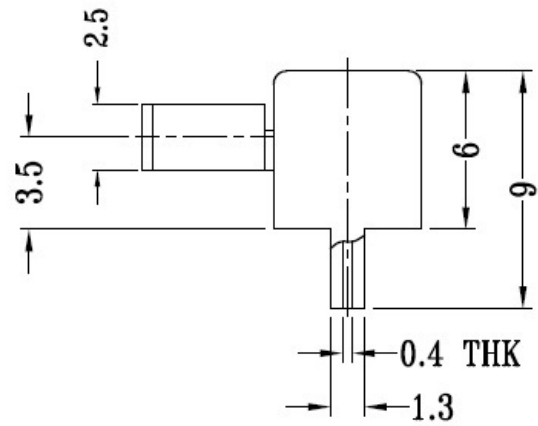
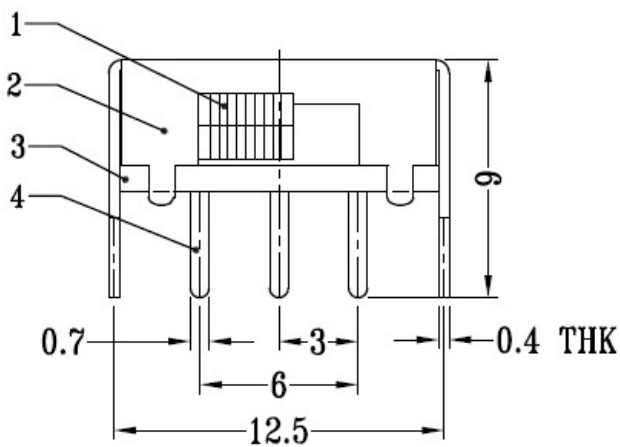


P.C.B LAYOUT  
BOTTOM VIEW



SCHEMATIC (NON-SHORTING)

6	SPRING	STEEL WIRE	1	NATURAL
5	CONTACT	BRASS STRIP	1	Ag PLATED
4	TERMINAL	BRASS STRIP	3	Ag PLATED
3	BASE	PHENOLIC RESIN	1	NATURAL
2	FRAME	STEEL STRIP	1	Ni PLATED
1	KNOB	PA66	1	BLACK
NO	Parts	Material	Q'TY	Finishing



銓基電子股份有限公司  
ROKI ELECTRONICS CO., LTD.

PART NAME : SLIDE SWITCH		SCALE :
PART NO : ST12005-□-S6-PF SERIES		UNIT : mm
TOLERANCE : WITHIN 1.5±0.1 mm OVER 1.5±0.2 mm		VER : R01